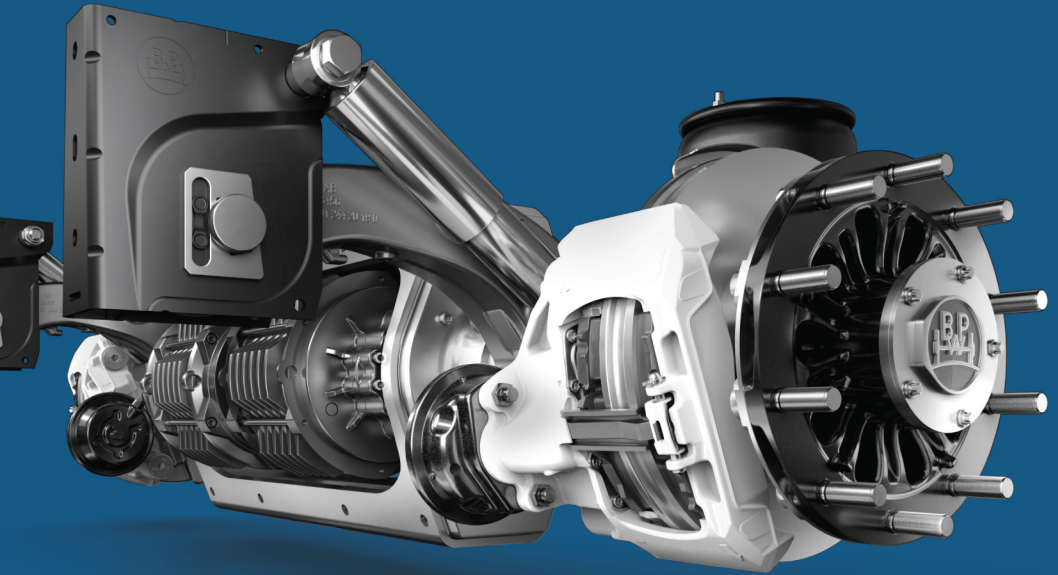


we think transport



BPW ePower

# THE POWER AXLE.



# ADVANTAGES OF ePOWER:

- ✓ A reliable, independent power supply for electrical systems
- ✓ Saves fuel and CO<sub>2</sub>
- ✓ Intelligent energy management and efficient operation
- ✓ Two axle generators for doubled power and more safety
- ✓ Multiple operating modes for optimal adaptation to the respective driving situation.
- ✓ Air-cooled
- ✓ Developed according to automotive safety standards
- ✓ Pays for itself in just a few years
- ✓ Europe-wide service and reliable maintenance thanks to extensive workshop network

# MAKE SAVINGS THROUGH RECUPERATION.

BPW ePower is a generator axle that intelligently produces electricity while moving.

ePower is a new axle module developed by the engineers at BPW that recovers energy when the trailer is moving, enabling a carbon-neutral and quiet supply of power to the likes of refrigeration units for temperature-controlled transport. But it can be put to other totally different uses too in the future (like powering tail lifts, pumps and external current collectors).

Different operating modes make sure that energy is managed intelligently and, therefore, that the system in question is ideally supplied with electricity as needed – even on longer journeys or in traffic jams.

## HOW DOES IT WORK?

Similar to a bike dynamo, ePower converts wheel rotation into energy and temporarily stores it in a backup battery before feeding it into the system as needed. Recuperation (i.e. braking) also recovers lost energy and feeds it back into the system too. But one crucial difference is that the system does not carry current until it is input by the inverter. What's more, the two generators only ever supply the amount of energy that is really needed at any given time.



Whether food or medicine: refrigerated transport is vital - however, the demands on the sustainability of transport are increasing. With BPW and Thermo King, two technology leaders in the transport industry have joined forces to help climate-efficient refrigerated transport achieve a breakthrough.

The solution is based on a modular component kit that enables the diverse application scenarios in refrigerated transport to be implemented in a low-noise and climate-friendly way.

All components can be seamlessly integrated into the Thermo King product range and into BPW's modular chassis system, are independent of the towing vehicle and can be installed in existing trailer architectures.

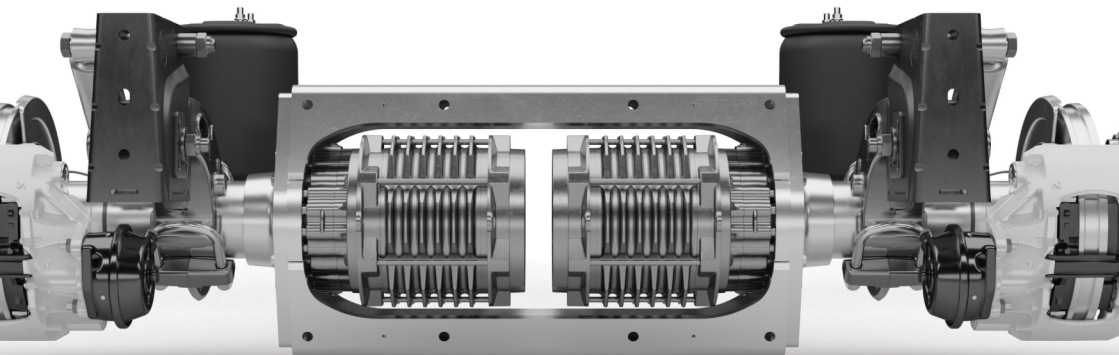
BPW ePower will keep you and your fleet on the road with an all-round sustainable and efficient power supply:

---

<b>Return on investment (ROI)</b>	< 6 years for 80% of application scenarios
<b>Fuel savings</b>	Up to 4,000 l per year and trailer
<b>Reduction in CO<sub>2</sub> emissions</b>	Up to 10 t per year and trailer

---

\*Per trailer, depending on use and equipment



## TECHNICAL DATA

<b>Generator power</b>	Max. 8 kW per generator, air-cooled asynchronous machine
<b>Energy generation</b>	> 15 km/h
<b>Battery capacity</b>	19 kWh / 38 kWh
<b>Standstill life</b>	up to 4.5/9h (configuration dependent)
<b>Battery life</b>	Approx. 10 years
<b>Axle load</b>	9 t
<b>Ride height</b>	260-460 mm
<b>Axle configuration</b>	Rigid axle
<b>Air suspension</b>	ECO Air
<b>Offset</b>	ET 120 / single wheels
<b>Wheel end</b>	19.5" / 22.5"
<b>Disc brake</b>	BPW ECO Disc TS2 3709 / 4309
<b>Axle weight</b>	Up to 750 kg
<b>Telematics</b>	Real-time monitoring by Thermo King and idem telematics



Die Marken der BPW Gruppe:



BPW ePower 19372201 e

**BPW Axles (Pty) Ltd**

PO Box 82545 • Southdale 2135 • Johannesburg

Tel (011) 681-3300

E-mail: [bpwsales@bpw.co.za](mailto:bpwsales@bpw.co.za)

Website: [www.bpw.co.za](http://www.bpw.co.za)

